

GT SoftRide™

Machine-Room-Less Elevator

The Next Evolution in Elevator Efficiency



SF100 Home Lift



SF100 Commercial Wheelchair Lift

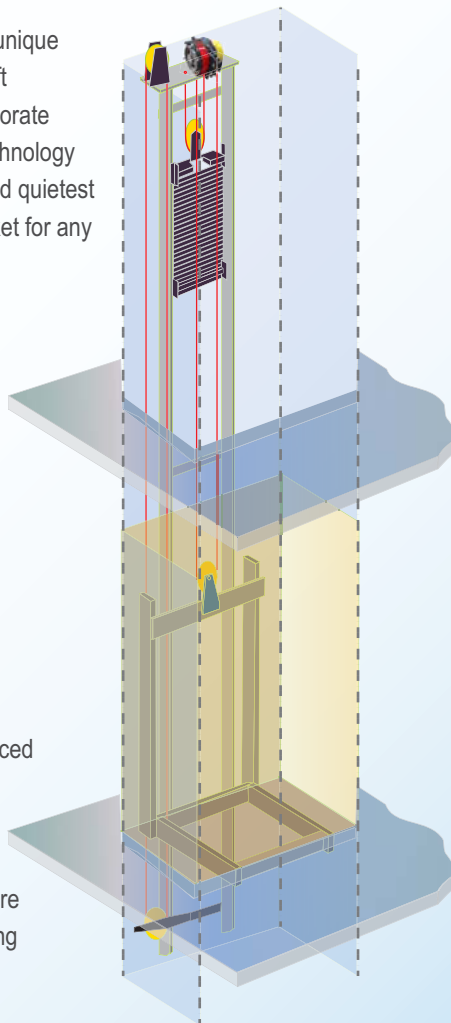


SF500 & LU/LA Residential, Commercial & LU/LA Lift

Global Tardif is proud to introduce the unique GT SoftRide™ (Machine-Room-Less) lift system. GT SoftRide™ products incorporate the future generation of elevating technology and design providing the smoothest and quietest drive available in the accessibility market for any commercial applications.

The GT SoftRide elevator is without a doubt the most economical and environmental friendly solution where hydraulics or chain drive systems have been traditionally tried. This streamlined advanced designed elevator system features exceptional performance and reliability.

Global-Tardif is the only accessibility manufacturer in North America to offer gearless performance with such advanced technology. Bringing the best high-rise elevator technology to the accessibility market is testimony of Global-Tardif's continued focus to ensure accessibility products are always leading edge state-of-the-art!



Pure Gearless Performance

Available Now From the High Rise Buildings to Your Own Application

ENERGY SAVINGS

- Energy Saving Up to **60%** vs Conventional Hydraulic
- Low Power Consumption
- High Efficiency PM Motor Technology

RIDE QUALITY

- Gearless Traction Elevator Performance
- Extremely Smooth Ride
- Quiet, Virtually Noiseless Operation

ENVIRONMENTALLY RESPONSIBLE

- Environmentally Friendly
- No Hydraulic Oil - Zero Spill Risk
- No Hot Oil Smell

BUILDING EFFICIENCY

- Recover Machine Room Space
- Flexible Layout

MRL TECHNOLOGY

- Proven Reliability
- Universally Maintainable Design
- Standard Commercial Components

APPLICATIONS / FEATURES

- Heavy Duty Made
- Upgraded Cab - Standard
- 1-Year Warranty

CONTRACTOR'S PROGRAM

- Ask about joining the

GT SoftRide Network

- Visit our web site at www.gtsoftride.com



Elevator Manufacturing Group

www.gtsoftride.com

SF100 Commercial Wheelchair Lift

Capacity	750 lbs (340 kg)
Travel	Up to 23'-6" feet (7.16 m)
Speed	40 fpm (0,2 m/s)
Landings	Up to 7, if Staggered
Power Supply	220 VAC, 1 phase, 50 or 60 Hz

- Instantaneous Break Safety Device
- GT-Tektronik SRX 100™ Control with Tape Reader
- 8" (205 mm) Pit Depth Only
- 100" (2540 mm) Overhead
- Two Way Levelling
- Tape Reader Levelling System
- Constant Pressure Operation
- Overspeed Governor
- Emergency Stop Button and Emergency Alarm Button
- Emergency Pit Switch
- In Use Indicator
- Illuminated LED Buttons
- Telephone Cabinet

Options

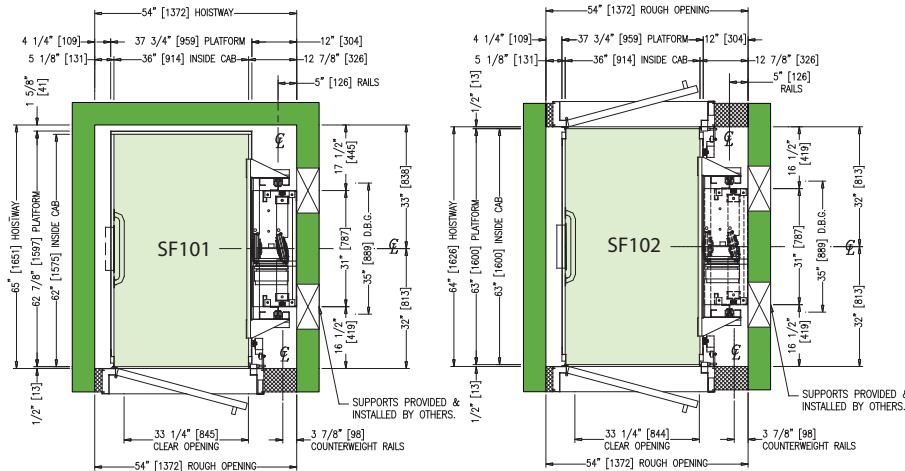
- 950, 1250, 1500 lbs Capacity
- Automatic or Manual GT-Swingdoors™
- Integrated Hall Station
- Custom Plastic Laminate or Custom Wood Interior Finishes
- Custom Stainless or Bronze Finishes
- Custom Size, Custom Design, Architectural Cab Interior
- Emergency Battery Lowering Device
- Retiring Cam
- Electric Strike - PrudHomme Interlock
- Glass Cab & Glass Doors
- Digital Position Indicator
- Hands Free Phone



Opening Configurations

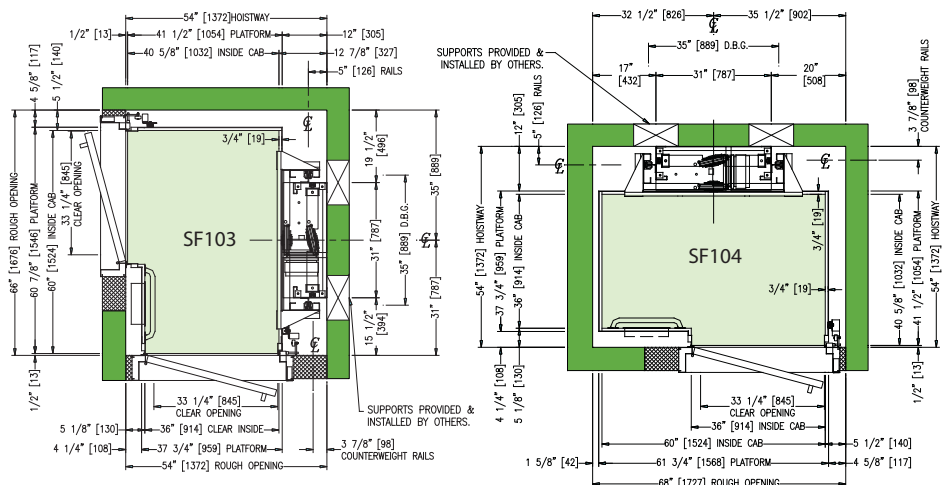
Standard Cab Features

- 6'-8" (2032 mm) Cab Height
- Two (2) Standard Cab Wall Colors Melamine
- Stainless Steel Satin Kick Base and Moldings
- Stainless Steel Satin Car Operating Panel
- Solid Ceiling with Incandescent Pot Lights and Eggcrate
- Stainless Steel Satin Tubular Handrail



Standard GT-Swing™ Doors

- 1 1/2 Hr UL / ULC Fire Rated Entrances Assembly
- Hollow Metal Door Panels
- Zinc Coated
- Anti Skid Sill Plate
- Door Interlock - Type "N"
- Hydraulic 2-Speed Door Closer



SF100

Home Lift

Capacity	950 lbs (430 kg)
Travel	Up to 75 feet (22.5 m)
Speed	40 fpm (0,2 m/s)
Landings	Up to 8
Power Supply	220 VAC, 1 phase, 50 or 60 Hz

- Instantaneous Break Safety Device
- GT-Tektronik SRX 100™ Control with Tape Reader
- Tape Reader Levelling System
- 8" (205 mm) Pit Depth Only
- 100" (2540 mm) Overhead
- Collapsible Car Gate GT-Woodfold™ or GT-Visifold™
- Two Way Levelling
- Single Automatic Operation
- Overspeed Governor
- Emergency Stop Button and Emergency Alarm Button
- Emergency Pit Switch
- In Use Indicator
- Illuminated LED Buttons

Options

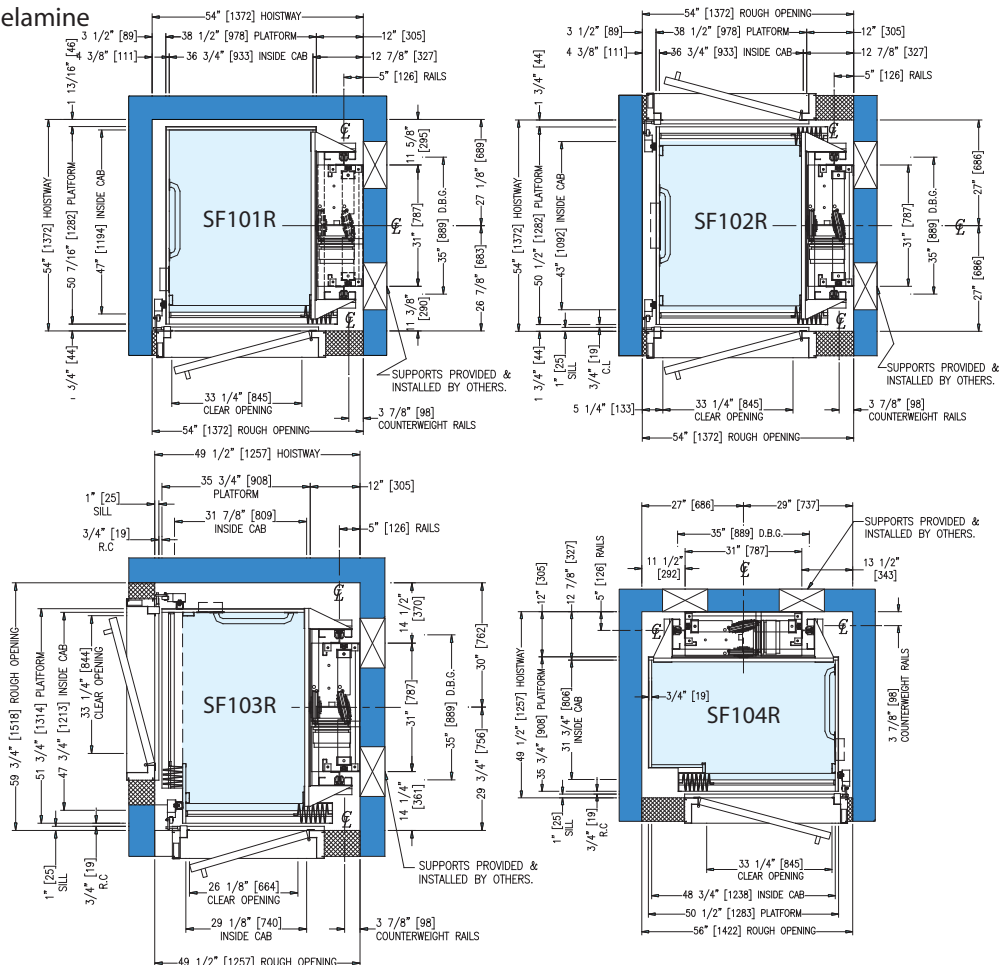
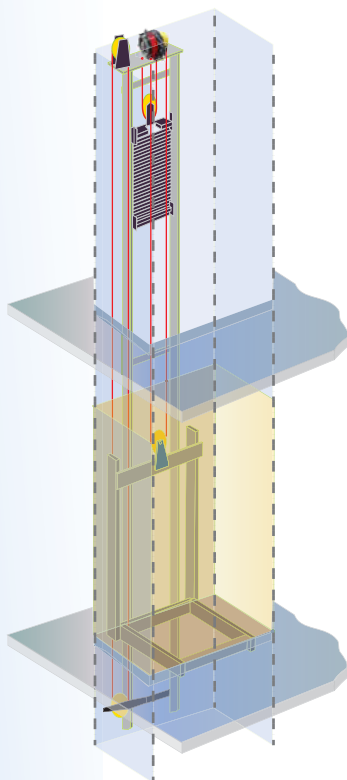
- Automatic or Manual GT-Swingdoors™
- Custom Plastic Laminate or Custom Wood Interior Finishes
- Custom Stainless or Bronze Finishes
- Custom Size, Custom Design, Architectural Cab Interior
- Emergency Battery Lowering Device
- Retiring Cam
- Electric Strike - PrudHomme Interlock
- Glass Cab & Glass Doors
- Telephone Cabinet
- Digital Position Indicator
- Hands Free Phone



Standard Cab Features

- 6'-8" (2032 mm) Cab Height
- Two (2) Melamine Standard Cab Wall Colors Melamine
- Stainless Steel Satin Kick Base and Moldings
- Stainless Steel Satin Car Operating Panel
- Solid Ceiling with Incandescent Pot Lights
- Stainless Steel Satin Tubular Handrail

Opening Configurations



SF500 LU/LA Lift (Limited Use / Limited Application)

Residential or Commercial

	Capacity	Maximum Travel	Minimum Overhead	Speed
SF500 LU/LA Lift	1400 lbs (635 kg)	25'-0" (7620 mm)	132" (3353 mm)	30 fpm (0.15 m/s)
SF500 Residential Elevator	750 lbs (340 kg)	50'-0" (22860 mm)	132" (3353 mm)	40 to 75 fpm (0.2 to 0.38 m/s)
SF500 Commercial Elevator	750 lbs (340 kg)	23'-6" (7163 mm)	132" (3353 mm)	40 fpm (0.2 m/s)

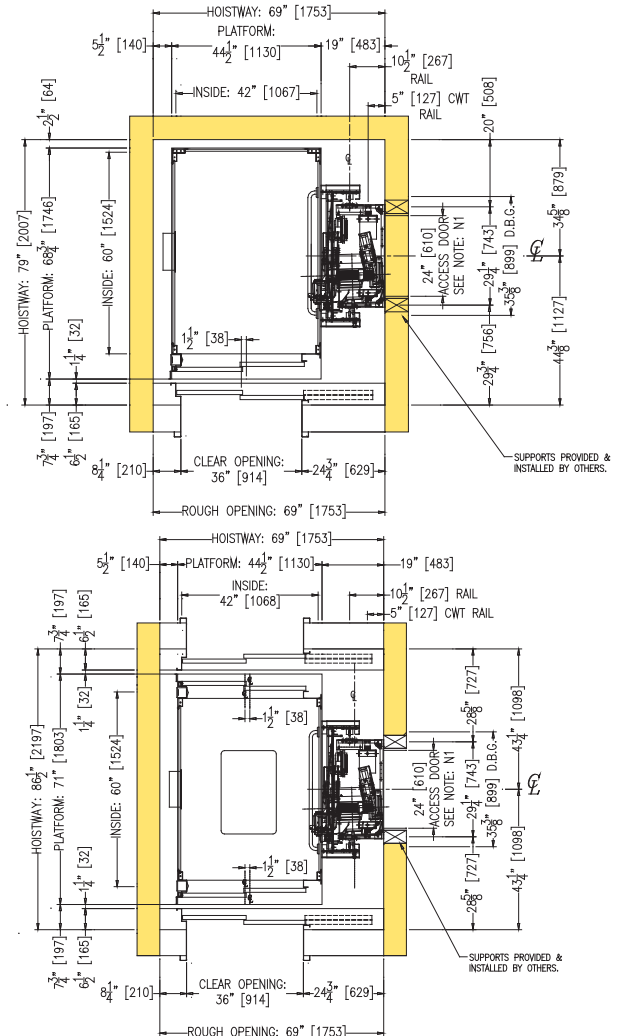
- 7'-0" (2134 mm) High Cab
- Pit Depth of 15" (381 mm)
- 220V, 1 phase, 50 or 60Hz
- GT-Tektronik SRX 500™ Control
- Two-Speed Door Operator
- Single Automatic Operation (GT-500R Residential Elevator Only)
- Tape Reader Leveling System
- Emergency Alarm and Stop Buttons
- Emergency Cab Lighting
- Telephone Cabinet
- Car Top Station (LU/LA)

Options

- Emergency Battery Power Backup System for Powered Lowering and Door Operation in the Event of a Building Power Failure
- 1000 or 1400 lbs Capacity for **SF500R** & **SF500C**
- Digital Position Indicator
- Custom Plastic Laminate or Custom Wood Interior Finishes
- Custom Stainless or Bronze Finishes
- Custom Size, Custom Design, Architectural Cab Interior
- Glass Cab & Glass Doors
- Protective Pads
- 8'-0", 8'-6", 9'-0" (2438, 2591, 2743 mm) High Cab
- Custom Cab Dimensions
- Braille Jamb Plate
- Hands Free Phone



Opening Configurations



Standard Cab Features

- Stainless Steel # 4 Modular Cab Shell Walls Reveals and Base
- Stainless Steel # 4 Cab front and Doors
- Stainless Steel # 4 Tubular Handrails
- Stainless Steel # 4 Control Panel with Braille Tactiles Plate
- Two(2) Cab Wall Color Selection
- Led Illuminated Car Direction Indicator

Standard GT EZ-Entrances™ Passenger type

- 1 1/2 Hr UL/ ULC Fire Rated Entrances Assembly - Global Type
- Sill Mounted Spring Door Closers
- Bolted Frame - Three-Pieces Knock Down
- Square Profile Design - 2" Jamb & Head Jamb Face to Suit 8" CMU Block Wall Construction
- Light Grey Primed Finish
- Aluminum Sills
- Jamb Plate (Stick-on Type) for Commercial Wheelchair Elevator

Contact Your Local Dealer :

*The GLOBAL-TARDIF Limited Warranty covers replacement of any defective parts for a period of one (1) years. Labour cost not included.
 GLOBAL-TARDIF reserves the right to discontinue models or options at any time or change the specifications, materials, equipment or pricing without notice and without incurring obligation.
 U.S. and foreign patents pending. 2004 GLOBAL-TARDIF Elevator Manufacturing Group Inc.